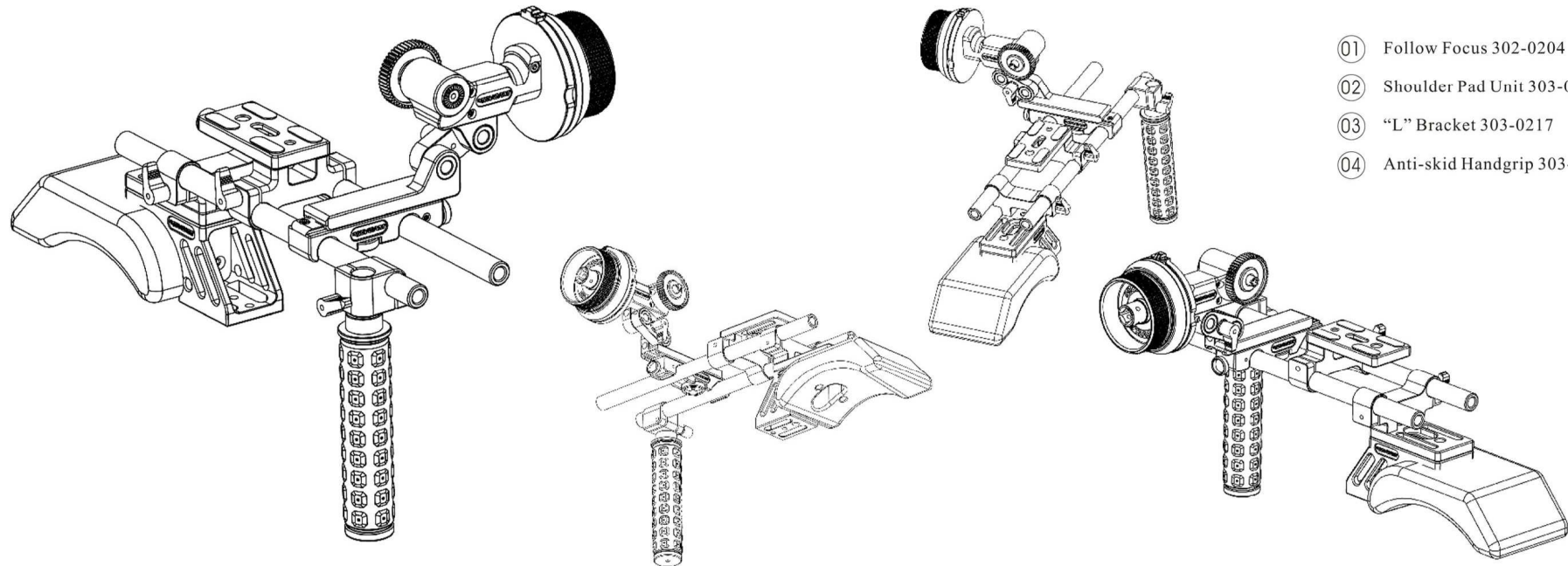
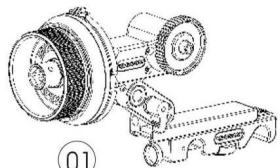


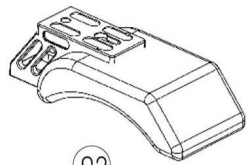
# ECO CONFIGURATION



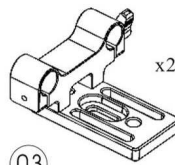
- 01 Follow Focus 302-0204
- 02 Shoulder Pad Unit 303-0201
- 03 "L" Bracket 303-0217
- 04 Anti-skid Handgrip 303-0211



01



02



03

x2



04

## KIT E

Eco Configuration

**D.S.C. Cine Equipment**

Sede legale: Via Gregorio VII, 350 00165 Roma  
Ufficio: c/o Cinecittà Studios - Via Tuscolana, 1055 - 00173 Roma  
Tel. / Fax: +39.0672293323 Mobile: +39.349.6904349  
Mail: info@dscighting.it Web: www.dscighting.it